

BIG KAISER



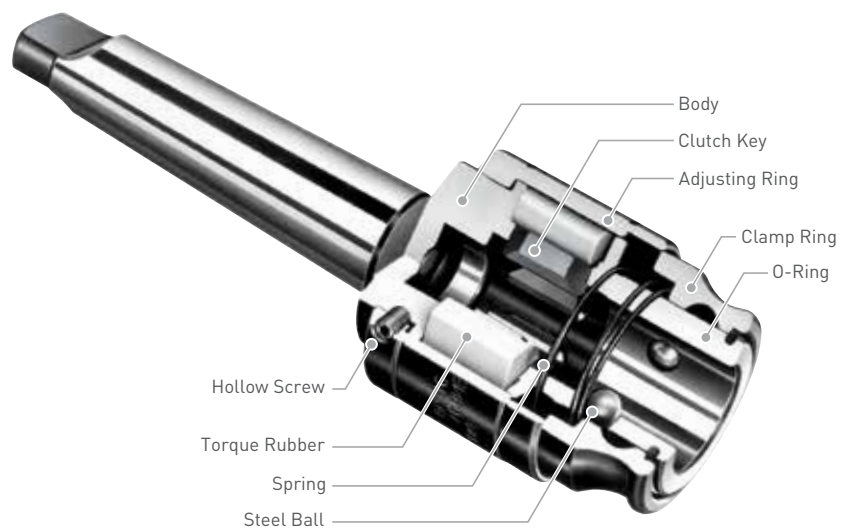
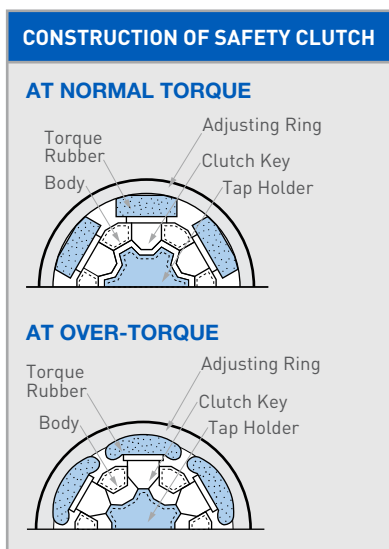
BIG DAISHOWA DRILL TAPPER

DRILL TAPPER

TAPPING RANGE: No. 8 - 2"

Quick-change system for drilling and tapping. Two operations with one head!

- Automatic torque limiter built into each Drill Tapper
- Built-in safety clutch and exclusive tap holders assure safe tapping
- No need to adjust torque for tapping blind or through holes
- Stable tapping is assured by simple but efficient cross tapping prevention system
- Excellent durability is achieved by utilizing the largest possible contact area
- Made with the finest quality material with a hardness of HRC 63, and ground clutch keys
- After long periods of use, the original torque can easily be restored by replacement of the clutch keys and torque rubbers



Unified & American National Thread									ANPT, NPT & NPTP		
Size	ød	E	Size	ød	E	Size	ød	E	Size	ød	E
NO.8	.168	.131	AU9/16	0.429	.322	AU1.1/8	.896	.672	AP1/8	.438	.328
NO.10	.194	.152	AU5/8	.480	.360	AU1.1/4	1.021	.766	AP1/4	.563	.421
NO.12	.220	.165	AU11/16	.542	.406	AU1.3/8	1.108	.831	AP3/8	.700	.531
AU1/4	.255	.191	AU3/4	.590	.442	AU1.1/2	1.233	.925	AP1/2	.688	.515
AU5/16	.318	.238	AU13/16	.652	.482	AU1.5/8	1.305	.979	AP3/4	.906	.679
AU3/8	.381	.286	AU7/8	.697	.523	AU1.3/4	1.430	1.072	AP1	1.125	.843
AU7/16	.323	.242	AU15/16	.760	.570	AU1.7/8	1.519	1.139	AP1.1/4	1.313	.984
AU1/2	.367	.275	AU1	.800	.600	AU2	1.644	1.233	AP1.1/2	1.500	1.125

ød=Diameter of shank E=Size of square

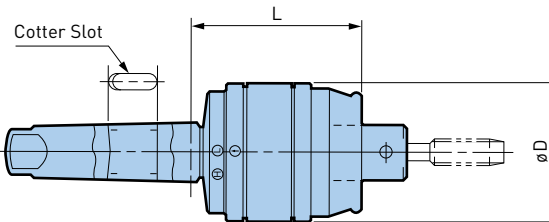
STANDARD SETS



Catalog Number	Taper	Head	Holders
SDT24-2 ANSI	MT2	DT24-2	T24-No.10, 1/4, 5/16, 3/8, 7/16, 1/2, 9/16, J24-6
-3 ANSI	MT3	DT24-3	T24-1/4, 5/16, 3/8, 1/2, 5/8, 3/4, 7/8, J24-6, D24-MT2
-4 ANSI	MT4	DT24-4	
SDT33-4 ANSI	MT4	DT33-4	T33-3/8, 1/2, 5/8, 3/4, 7/8, 1, 1.1/4, J33-6, D33-MT3
-5 ANSI	MT5	DT33-5ANSI	

- Sets do not include Drill Chuck
- MT5 Taper is provided with ANSI Standard Cotter Slots

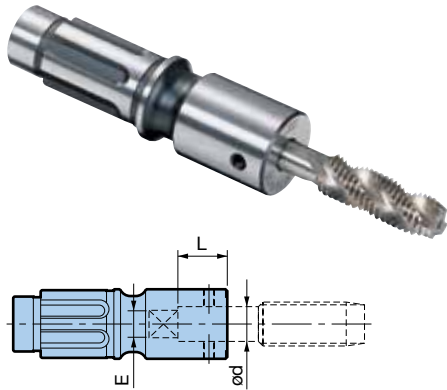
HEAD



Catalog Number	Taper	Tapping Range		Drilling Capacity	D	L	Weight (lbs.)
		UNC	PT, PF				
DT24-2	MT2	No.8 - 1/2	1/8 - 1/4	.825	2.80	4.00	4.2
-3	MT3	No.8 - 7/8	1/8 - 1/2	1.250			4.6
-4	MT4						6.2
DT33-4	MT4	5/16 - 7/8	1/8/2001	2.000	3.46	4.50	8.8
-5ANSI	MT5						10.6
DT52-5ANSI	MT	7/8/2002	1/2 - 1 3/4	3.000	4.45	5.40	19.6

- MT2/3/4 taper are without cotter slots
- MT5 taper is provided with ANSI standard cotter slots

STANDARD TAP—SIDE LOCK SYSTEM HOLDERS



DT24

Catalog Number	L
T24-NO.8	.748
-NO.10	
-NO.12	
-AU1/4	
-AU5/16	
-AU3/8	.866
-AU7/16	
-AU1/2	
-AU9/16	
-AU5/8	
-AU11/16	.748
-AU3/4	
-AU13/16	
-AU7/8	
-AU15/16	
-AP1/8	.748
-AP1/4	
-AP3/8	
-AP1/2	

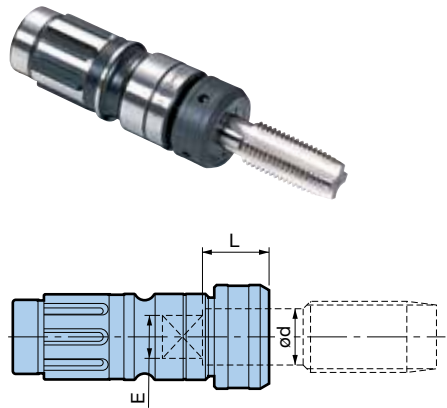
DT33

Catalog Number	L
T33-AU5/16	.748
-AU3/8	
-AU7/16	
-AU1/2	
-AU9/16	
-AU5/8	.866
-AU11/16	
-AU3/4	
-AU13/16	
-AU7/8	
-AU15/16	.748
-AU1	
-AU1.1/8	
-AU1.1/4	
-AP1/8	
-AP1/4	.748
-AP3/8	
-AP1/2	
-AP3/4	
-AP1	

ACCESSORIES



STANDARD TAP—COLLET CHUCK SYSTEM HOLDERS



DT52

Catalog Number	L
T52-AU7/8	1.063
-AU15/16	
-AU1	
-AU1.1/8	1.260
-AU1.1/4	
-AU1.3/8	
-AU1.1/2	1.378
-AU1.5/8	
-AU1.3/4	
-AU1.7/8	1.575
-AU2	
-AP3/8	.906
-AP1/2	
-AP3/4	.984
-AP1	.827
-AP1.1/4	.984
-AP1.1/2	1.102

ACCESSORIES



DRILL CHUCK ADAPTER



Catalog Number	Head
J24-6	DT24
J33-6	DT33
J52-6	DT52

• Drill Chuck is not included JACOBS Taper JT6

MORSE TAPER ADAPTER



Catalog Number	Head
D24-MT1, MT2, MT3	DT24
D33-MT1, MT2, MT3, MT4	DT33
D52-MT2, MT3, MT4, MT5	DT52

BIG KAISER Precision Tooling Inc.

A Member of the BIG DAISHOWA Group

2600 Huntington Blvd | Hoffman Estates, IL 60192 | P: (224) 770-2999 | F: (224) 770-2997 | bigkaiser@us.bigkaiser.com | www.bigkaiser.com

05/2018 © Copyright 2018 BIG KAISER