



Cordless Riveter

R1B2

INSTRUCTION MANUAL

Contents

Important Safety Instructions	2
Technical Data	8
Preparations Before Use	10
Operating the Cordless Riveter	11
Maintenance	13
Storage	14
Parts Table	14
Ordering Parts	14
Troubleshooting	15
EC Declaration of Conformity	16



Thank you very much for purchasing “LOBSTER” cordless riveter. To ensure correct operation, please read this instruction manual carefully, and keep it in a safe place for later reference.

◆ Original Instruction Manual is written in English language

LOBTEX Co.,LTD

12-8 Shijo-cho,Higashi-Osaka City,Osaka 579-8053,Japan

Telephone +81(72)981-7466 Telefax +81(72)981-9420

e-mail lobtex@riveter.com URL <http://www.lobtex.co.jp/>



1. Important Safety Instructions





◆ Be sure to read the following Important Safety Instructions carefully and make sure that you understand them thoroughly before using this tool.





◆ Always wear eye-protection at all times during use. If this is not observed, the rivet shaft (cut mandrel) may eject out when the rivets are cut and cause serious injury.

◆ The Important Safety Instructions are divided into  WARNING and  CAUTION. The differences between these two levels are described below.

 WARNING : Indicates a potentially hazardous situation which, if not avoided, could result in death or serious injury to the operator.

 CAUTION : Indicates a potentially hazardous situation which, if not avoided, may result in moderate injury to the operator or physical damage.

Moreover, failure to follow the instructions marked with the  CAUTION symbol or cautions without a  CAUTION symbol which appear in the text of this manual may also have serious results in some cases. Always be use to observe the instructions given in the Important Safety Instructions.

◆ After reading this manual, keep it in a safe place where it is easily accessible to tool users.

===== General Cordless Riveter Safety Warnings =====

WARNING

Read all safety warnings and all instructions. Failure to follow the warnings and instructions may result in fire and serious injury. **Save all warnings and instructions for future reference.**

Work area safety

1. **Keep work area clean and well lit.**
Cluttered or dark areas invite accidents.
2. **Do not operate power tools in explosive atmospheres, such as in the presence of flammable liquids, gases or dust.**
 - Power tools create sparks which may ignite the dust or fumes.
3. **Keep children and bystanders away while operating a power tool.**
 - Distractions can cause you to lose control.

Electrical safety

4. **Do not expose power tools to rain or wet conditions.**

Personal safety

5. **Stay alert, watch what you are doing and use common sense when operating a power tool. Do not use a power tool while you are tired or under the influence of drugs, alcohol or medication.**
 - A moment of inattention while operating power tools may result in serious personal injury.
6. **Use personal protective equipment. Always wear eye protection.**
 - Protective equipment such as dust mask, non-skid safety shoes, hard hat, or hearing protection used for appropriate conditions will reduce personal injuries.
7. **Prevent unintentional starting. Ensure the switch is in the off-position before connecting to battery pack, picking up or carrying the tool.**
 - Carrying power tools with your finger on the switch or energising power tools that have the switch on invites accidents.
8. **Do not overreach. Keep proper footing and balance at all times.**
 - This enables better control of the power tool in unexpected situations.

 **WARNING**

9. **Dress properly. Do not wear loose clothing or jewellery. Keep your hair, clothing, and gloves away from moving parts.**

- Loose clothes, jewellery or long hair can be caught in moving parts.

Power tool use and care

10. **Do not force the power tool. Use the correct power tool for your application.**

- The correct power tool will do the job better and safer at the rate for which it was designed.

11. **Do not use the power tool if the switch does not turn it on and off.**

- Any power tool that cannot be controlled with the switch is dangerous and must be repaired.

12. **Store idle power tools out of the reach of children and do not allow persons unfamiliar with the power tool or these instructions to operate the power tool.**

- Power tools are dangerous in the hands of untrained users.

13. **Maintain power tools. Check for misalignment or binding of moving parts, breakage of parts and any other condition that may affect the power tool's operation. If damaged, have the power tool repaired before use.**

- Many accidents are caused by poorly maintained power tools.

14. **Use the power tool, accessories and tool bits etc. in accordance with these instructions, taking into account the working conditions and the work to be performed.**

- Use of the power tool for operations different from those intended could result in a hazardous situation.

Battery tool use and care

15. **Recharge only with the charger specified by the manufacturer.**

- A charger that is suitable for one type of battery pack may create a risk of fire when used with another battery pack.

16. **Use power tools only with specifically designated battery packs.**

- Use of any other battery packs may create a risk of injury and fire.

17. **When battery pack is not in use, keep it away from other metal objects, like paper clips, coins, keys, nails, screws or other small metal objects, that can make a connection from one terminal to another.**

- Shorting the battery terminals together may cause burns or a fire.

18. **Under abusive conditions, liquid may be ejected from the battery; avoid contact. If contact accidentally occurs, flush with water. If liquid contacts eyes, additionally seek medical help.**

- Liquid ejected from the battery may cause irritation or burns.

Service

19. **Have your power tool serviced by a qualified repair person using only identical replacement parts.**

- This will ensure that the safety of the power tool is maintained.

20. **Follow instruction for lubricating and changing accessories.**

21. **Keep handles dry, clean and free from oil and grease.**

Riveter safety warning

22. **Do not point the power tool towards yourself or anyone nearby.**

- Unexpected triggering will discharge the rivet causing an injury.

23. **Do not use the power tool without mandrel corrector.**

- The mandrel of a cut rivet may be thrown with great force and cause injury.

⚠ WARNING

1. **Use a dedicated charger and battery pack.**
 - Do not use the dedicated charger to recharge battery packs other than those described in this instruction manual. Doing so may result in the explosion of the battery packs, causing injury or damage.
2. **Recharge the battery pack correctly.**
 - Use this charger with a power supply of the indicated rating. Do not use it on a DC power supply, engine generator, or transformer. Doing so may cause abnormal heating or fire.
 - Do not recharge the battery pack when the temperature is below 0°C or above 40°C. Doing so may cause explosion or fire.
 - Recharge the battery pack in a well-ventilated environment. Do not cover the battery pack or the charger with cloth or the like while recharging. Doing so may cause explosion or fire.
 - If an abnormality such as smoking or strange odors occurs while recharging, immediately disconnect the power plug from the outlet.
 - When the charger is not in use, disconnect the power plug from the outlet. Wipe off dust and stains on the power plug and the outlet with a dry cloth. Failing to do so may result in electric shock or fire.
 - Keep the battery pack disconnected from the charger unless the battery pack is being recharged.
3. **Do not short circuit the terminals of the battery pack. Do not put the battery pack in a nail bag. Doing so may cause short-circuit, resulting in emitting smoke, fire, bursting, and so on.**
4. **Beware of electric shock.**
 - Do not touch the power plug with wet hands. Doing so may result in electric shock.
5. **Take the surroundings of the workplace into consideration.**
 - Do not use the rechargeable tool, charger, and battery pack in the rain or in a wet place. Doing so may cause electric shock or smoking.
 - Provide a workplace with adequate illumination. Working in a dark place may result in accident.
 - Do not use or recharge the rechargeable tool anywhere where flammable vapors or gases exist. Doing so may result in explosion or fire.
 - When lightning threatens, do not recharge the battery pack. Disconnect the power plug from the outlet. Neglecting this precaution may result in fire or electric shock due to a lightning strike.
 - Do not use or store the rechargeable tool, charger, or battery pack anywhere where the atmosphere is laden with dust and particles. Foreign objects entering the rechargeable tool, charger, or battery pack may cause heating, fire, or accident.
6. **Wear protective glasses.**
 - Wear protective glasses while you are engaged in work. Wear a dust-proof mask in dusty places. Failing to do so may allow cuttings to enter the eyes or nose.
7. **In the following cases, set the switch of the rechargeable tool in the off position and disconnect the battery pack from the main body. Failing to do so may cause the tool to operate, possibly resulting in injury.**
 - When the rechargeable tool is not in use.
 - When cleaning the rechargeable tool or replace its parts.
 - When a danger is foreseen.
8. **Avoid sudden starts.**
 - Do not carry the rechargeable tool with your finger on the trigger switch. Doing so may cause the tool to operate, possibly resulting in injury.
9. **Use the designated accessories and attachments.**
 - Do not use accessories and attachments other than those listed in this instruction manual and our catalogs. Doing so may result in accident or injury.
10. **Do not incinerate the battery pack. Doing so may cause it to explode or harmful substances to be emitted.**
11. **Be careful in handling the battery pack and charger.**
 - Be careful not to let drop the battery pack and charger or to subject them to strong shocks. If the outside case is damaged, do not use the battery pack and charger. Doing so may result in heating, fire, or electric shock.
 - Do not disassemble or modify the battery pack and charger. Doing so may result in heating, fire, electric shock, injury and accident.

 **CAUTION**

1. **Keep work area clean.**
 - The work stand and the place with dispersed articles may cause accidents.
2. **Keep the tool away from children.**
 - Do not allow anyone other than operators to touch the rechargeable tool and the power cable of the charger. Touching them may result in injury.
 - Keep anyone other than operators away from the workplace. Failing to do this may result in injury.
3. **When not using the cordless riveter, store it properly.**
 - Store it in a dry location that children cannot access or that can be locked. Failing to do this may result in injury.
 - Do not store the rechargeable tool or battery pack any where the temperature may rise above 50°C (in a metal box or in a car during the summertime). Doing so may cause the battery pack to deteriorate, smoke, or ignite.
4. **Do not use the cordless riveter forcibly.**
 - To work safely and efficiently, use the rechargeable tool at a speed suitable to its capability. Using the rechargeable tool beyond its capability may result in accident.
 - Do not use the cordless riveter in an unreasonable way that causes the motor to lock. Doing so may cause smoking or ignition.
5. **When working, be dressed properly.**
 - We recommend that you wear rubber gloves and shoes with non-slip pads when working outdoors. Wearing slippery gloves or shoes may result in injury.
6. **Do not handle the power cable of the charger roughly.**
 - Do not dangle the charger from the power cable when carrying it, and do not pull the power cable to disconnect it from the outlet.
 - Keep the power cable away from heat, oil, and sharp edges.
 - Select a place to recharge the battery pack where the power cable is not treaded on, gets snagged, or is damaged by undue force. Neglecting these precautions may result in electric shock or smoking.
7. **Avoid uncomfortable postures while working.**
 - Always be steady on your feet and maintain your balance. Ignoring this may cause you to topple over and injure yourself or someone.
8. **Keep the rechargeable tool in good working condition.**
 - Lubricate the cordless riveter and replace parts as specified in the instruction manual. Failing to follow the instruction manual may result in injury.
 - Check the power cable of the charger periodically, and if it is found damaged, request your dealer or our company to repair it. Neglecting this may result in electric shock, short-circuiting and ignition.
 - When using an extension cord, check it periodically and, if it is damaged, replace it. Neglecting this may result in electric shock, short-circuiting and ignition.
 - Always keep the grip dry, clean, and free of oil and grease. Failing to follow the instruction manual may result in injury.
9. **Use an extension cord suitable for outdoor use.**
 - When recharging the battery pack outdoors, use a cable tie cord or cable as an extension cord.
10. **Use the rechargeable tool carefully and concentrate on correct operation at all times.**
 - Use the rechargeable tool with proper care, paying full attention to methods of handling and operation and surrounding conditions. Accidents and injury may result if this practice is not followed.
 - Use common sense at all times, otherwise accidents or injury may result.
 - When you are tired, do not use the rechargeable tool, otherwise accidents or injury may

⚠ CAUTION

result.

11. **Check that all the tool parts are free from damage before use. Any damaged parts should be repaired before the tool is used.**
 - Check all parts for damage before using the rechargeable tool to see that they work normally and the specified functions are displayed.
 - Do not use a damaged power plug or cable or a charger that has been dropped or damaged. Neglecting this may result in electric shock, short-circuiting and ignition.
 - Follow the instruction manual when you replace parts or clean the cordless riveter and its parts. For anything not described in the instruction manual, request your dealer or our company to carry out the necessary repair.
 - If the cordless riveter cannot be started or stopped using the trigger switch, do not use the cordless riveter. Neglecting this caution may result in injury.
12. **To repair this cordless riveter, send it to our company.**
 - When you find the main body hot or you detect an anomaly, send this cordless riveter in for inspection and repair.
 - This cordless riveter complies with relevant safety standards. Do not modify it.
 - Be sure to send the cordless riveter to your dealer or our company for repair. If the cordless riveter is repaired by someone without the necessary qualifications and experience, the cordless riveter may not perform to optimum standards, and accidents or injury may result.

=====⚠ Important safety instructions for the cordless riveter =====

In addition to the "Important safety instructions" given above, the customer is kindly requested to observe the following precautions for the cordless riveter.

⚠ WARNING


1. **When carrying out maintenance, inspection, and parts replacement, be sure to detach the battery pack. Failing to do this may cause the cordless riveter to operate suddenly, resulting in injury.**
2. **Do not caulk rivets needing a force exceeding the riveting capability of the cordless riveter. Neglecting this warning may result in accident or injury.**
3. **Never look into the nosepiece of the tool. Wear protective glasses.**
 - The mandrel of a cut rivet may be ejected.
4. **If the cordless riveter stops working properly or you hear abnormal sounds, immediately set the switch in the off position, stop using the cordless riveter, and request your dealer or our company to inspect and repair it.**
 - Continued use without taking corrective measures may result in injury.
5. **When you use two or more battery packs one after another, pause operation of the cordless riveter 15 minutes or so between the packs.**
 - Neglecting this instruction may cause the temperature of the cordless riveter to rise, result in burns.

⚠ CAUTION

1. **Do not operate the cordless riveter with the frame head removed.**
 - Doing so may cause fingers to be caught in the mechanism.
2. **If using in elevated locations, take care to avoid dropping rivets or the tool itself.**
 - Make sure that there are no persons below. Failing to do this may result in accident should materials, the cordless riveter, or the mandrel of cut rivets be allowed to fall.
3. **Scattered shafts of cut rivets may cause injury.**

 **CAUTION**

4. **Do not look directly into the LED light.**
 - Looking at the LED light continuously may harm your eyes.

===== Important safety instructions in using the lithium ion battery=====

A lithium ion battery is used with this product. Follow the precautions below to use the lithium battery safely.

Also, lithium batteries have the following characteristic.

- To protect the lithium ion battery, the output is stopped (the motor is stopped) when the remaining capacity of the battery is low. In this case, recharge the battery pack immediately.

 **WARNING**

1. **Do not use the cordless riveter with the positive (+) and negative (-) electrodes reversely connected.**
 - This may cause electrolyte leaks, heating, explosion, and ignition.
2. **Do not connect the battery pack directly to the outlet or the cigarette lighter of a car.**
 - This may cause electrolyte leaks, heating, explosion, and ignition.
3. **Do not heat or pressurize the battery pack by placing it in a microwave oven or high-pressure vessel.**
4. **Do not use the battery pack in applications other than the use with the designated devices.**
5. **If the electrolyte leaks or strange odors are emitted from the battery, immediately move it away from flames.**
6. **If the battery pack cannot be fully recharged even after the required recharging time, stop recharging it.**
7. **If you find abnormalities such as strange odors, heating, discoloration, deformation and the like during use, recharging, or storage of the battery pack, stop using the tool or remove it from the charger.**
8. **Should the electrolyte leaking from the battery get into eyes, do not rub your eyes, but rinse them with clean water and see a doctor as soon as possible.**
 - Leaving eyes untreated may cause harm to eyes from the electrolyte.

 **CAUTION**

1. **If, when using the cordless riveter for the first time, you find abnormalities such as rust, strange odors, heating and the like, do not use the riveter. Bring it to your dealer.**
2. **If skin or clothes are stained with the electrolyte leaking from the battery, immediately rinse the location with clean water like tap water.**
 - Failing to do this may result in irritation to the skin.

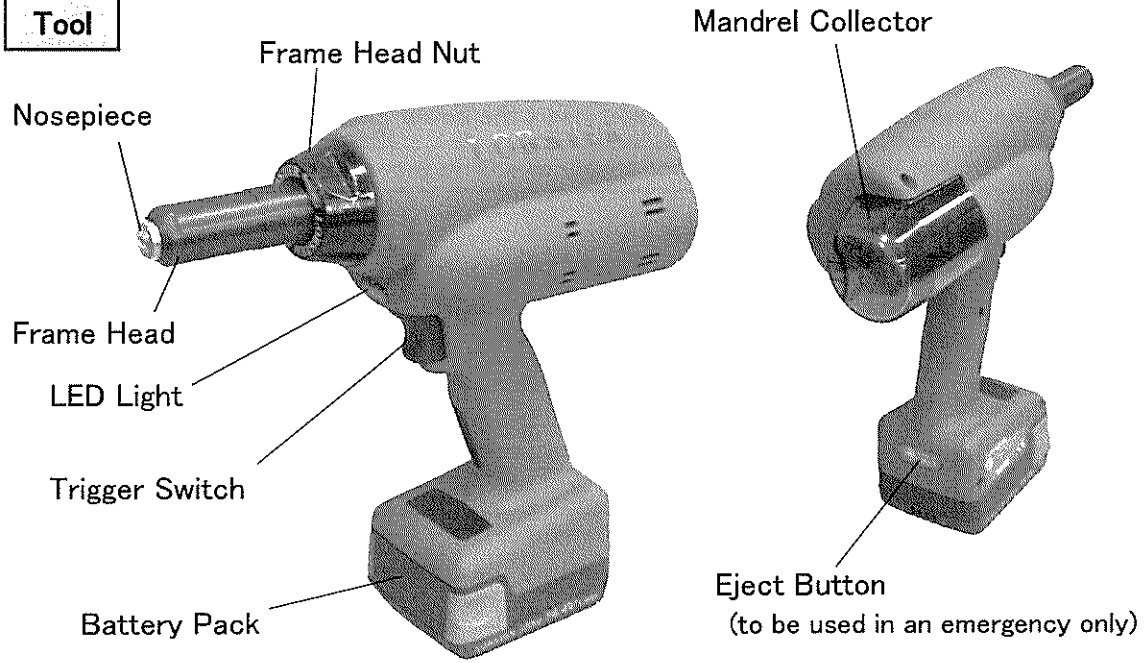
2. Technical Data

Main body	Model No.		R1B2	
	Battery		DC14.4V	
	Capacity		φ 4.8, φ 6.4	
	Traction Power		13kN	
	Stroke		22mm	
	Weight		1.7kg	
	Size	body only	L 268mm × W 90mm × H 228mm	
		Including the battery pack	L 268mm × W 90mm × H 260mm (with BPL-1415)	
	Sound	dB (LpA)	67.9dB (A-weighted sound pressure level)	
		dB (LwA)	78.9dB (Sound power level in decibels)	
Vibration		<2.5m/sec ²		
Battery Pack	Model No.		BPL-1415	BPL-14 (optional)
	Cell		Li-ion	
	Voltage		DC14.4V	
	Capacity		1.5Ah	3.0Ah
	Weight		0.3kg	0.6kg
	Size		L 99 × W 80 × H 45mm	L 99 × W 80 × H 64mm
Charger	Model No.		BC0075G	
	Power Supply (Input)		AC100-240V 50-60Hz	
	Output Current		2A MAX	
	Charging Time		BPL-1415	45min.(80% capacity)/ 60min.(100% capacity)
			BPL-14	90min.(80% capacity)/120min.(100% capacity)
Weight		0.8kg		

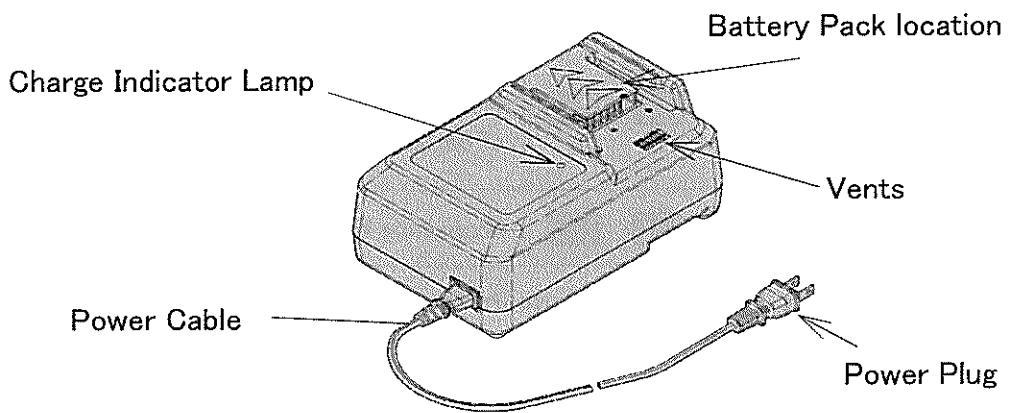
- ※ Product specifications and designs are subject to change for improvement without notice.
- ※ Weights and dimensions given are standard values. Actual products may differ slightly from the values given.
- ※ Use this tool in the range of 0°C to 40°C.
- ※ The production date of this product is shown yymm(year, month) below the tools.
- ※ Important information and clue about the use are listed in main body label. When contents cannot read by contamination or by the damage of the label, please order a new label and put it. The new label could be ordered from us (LOBTEX) via distributor.

● **Nomenclature**

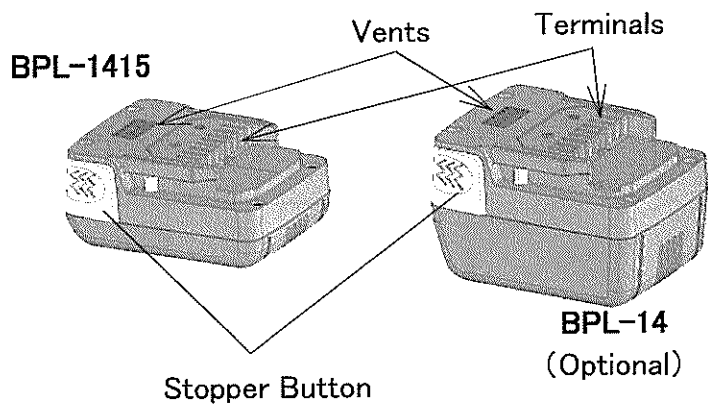
Tool



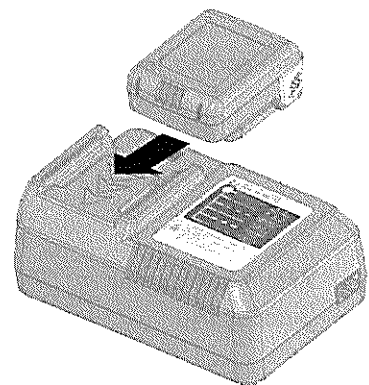
Charger



Battery Pack



Mounting in the charger



3. Preparations before Use







● Recharging the battery pack

Recharge the battery pack before you use it. Be sure to use the dedicated charger to recharge the battery pack.

1. Connect the power cable to the charger, and insert the power plug into an outlet.

Note	<ul style="list-style-type: none"> • Do not use it on a DC power supply or engine generator.
-------------	---

2. Insert the battery pack into the charger.
When recharging is started, the charge indicator lamp lights up.
The lamps indicate charge as follows.

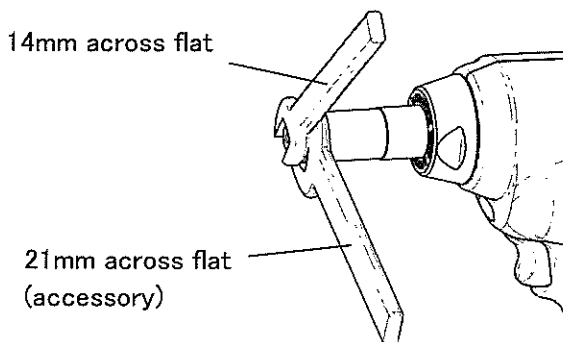
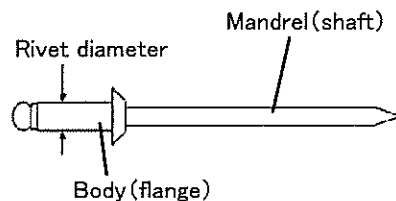
LED lamp		Status
Color and pattern		
LED lamp off		The battery pack is inserted into the power supply.
Red lamp lights		Under charging
Green lamp blinks (every second)		80% Completion The battery has been charged approx.80% of its capacity.
Green lamp lights		Completion The battery has been fully charged.
Orange lamp blinks (every second)		High or low temperature Waiting for becoming proper to charge temperature of battery pack.
Red lamp blinks (every second)		Impossible to charge

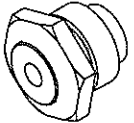
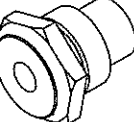
3. When recharging is completed, remove the battery pack from the charger and remove the power plug from the outlet.

● Nosepiece selection

A nosepiece with a rivet diameter of 6.4 mm is set on a newly purchased product.

Confirm the size to be used, and replace the nose piece with the corresponding one using a spanner or wrench.



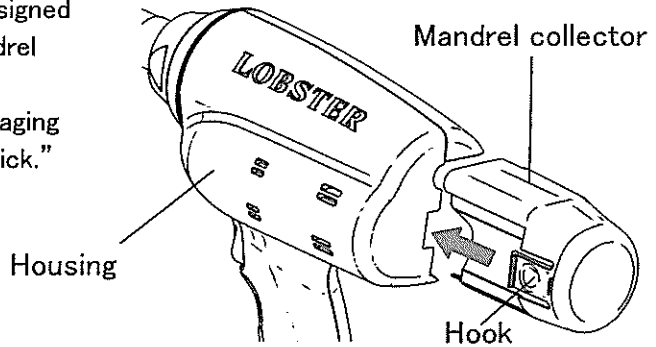
Rivet size	Nosepiece
Rivet diameter 4.8mm	 (overall length : roughly 14mm)
Rivet diameter 6.4mm	 (overall length : roughly 17mm)

Note	<ul style="list-style-type: none"> • If you use the nosepiece improperly, cut shafts may not be ejected normally after fixing and may clog inside or badly affect finishing of rivets. To avoid that, be sure to use an appropriate nosepiece. • When replacing a nose piece with a different sized one, be sure to replace it after removing the battery pack from the main body.
-------------	--

● **Installing the mandrel collector**

For safety's sake, this cordless riveter is designed to operate only when equipped with the mandrel collector.

Install the mandrel collector correctly by engaging the hook with the housing until you feel a "click."



Note	<ul style="list-style-type: none"> • Install the mandrel collector correctly. If the mandrel collector is broken, replace it with a new one. If you continue using a broken mandrel collector, the mandrel of a cut rivet may be thrown with great force and cause injury.
-------------	---

● **Checking of operation**

When preparation before use is done, please press the trigger switch and check whether it works properly.

4. Operating the Cordless Riveter

1. Select a suitable size of rivet for the workpiece to be riveted.	
2. Replace the nosepiece with one which matches the size of rivet to be used.	
3. Drill a hole of appropriate size (0.1 to 0.2 mm larger than the diameter of the rivet) in the workpiece.	
4. Insert the rivet into the hole.	
5. Insert the tip of the riveter into the mandrel of the rivet.	
6. Lightly fit the end of the riveting tool to the workpiece. Make sure that there is no space in the workpiece and other things, and then activate the trigger.	
7. The rivet will be installed into the workpiece.	
8. When the mandrel is cut, release the switch. The riveter returns to its original state automatically.	
9. After making sure that the mandrel has been discharged, move to the next riveting operation.	
10. When the mandrel collector is filled halfway with mandrels, remove the mandrel collector and discard the mandrels inside.	

Note	<ul style="list-style-type: none"> • Never look into the nosepiece of the tool. The mandrel of the cut rivet may be ejected and cause injury. • When working downward, be careful not to drop the cut mandrels. • When using continuously, set a rivet approximately <u>5 times per minute</u>. (Neglecting this instruction may cause the temperature of the cordless riveter to rise.) • When abnormal sound, odor, heat, smoking, or deformation was found, please take off the battery pack from the main unit and send them to the dealer you bought for checking/fixing.
-------------	--

● How to use the LED light

Pulling the trigger switch causes the light to turn on and releasing the switch causes the light to turn off in about 10 seconds.

Note	<ul style="list-style-type: none"> • Do not peep into the light or allow the light from the LED light to strike your eyes. Allowing the LED light continuously to strike your eyes may harm them.
-------------	--

● Emergency use EJECT button

The emergency use eject button located on the lower rear of the grip is not used normally. Pressing it under normal condition causes no action. In addition, doing so does not affect any function.

<Situation in which the button is activated>

- When the remaining capacity of the battery becomes low, the over discharge prevention function activates to stop operation. The riveter stops immediately before cutting a rivet depending on the circumstances. In such a case, press this button immediately to release the caught rivet. After this, recharge the battery pack, or replace the battery pack with a recharged one and continue operation.



Note	<ul style="list-style-type: none"> • Ejection is allowed only once. When the ejection button has been used, recharge the battery pack as soon as possible. Continued use unreasonably damages the battery pack, shortening its service-life. • To carry out work efficiently and to protect the battery pack, it is recommended to recharge or replace the battery pack before the ejection button becomes necessary.
-------------	---

If the motor is overloaded because of a rivet that requires force in excess of riveting capability or a foreign object is caught in an internal gear, a protective circuit activates for safety purposes.

In such a case, press this button to release the caught rivet, and eliminate the cause of the overload.

If the cause of the overload cannot be cleared, stop using the riveter, and request your dealer to repair it

5. Maintenance

After long periods of use, oil in the jaws runs out or debris from cut shafts and other foreign materials tend to build up around the jaws, both of which can lead to operating problems. The tool should be cleaned periodically.

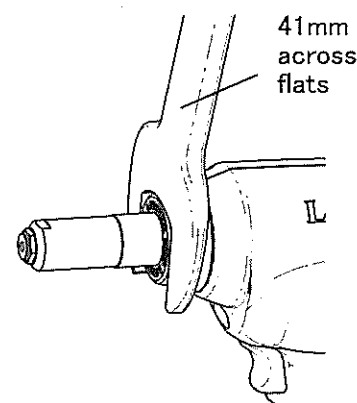
1. Lubrication of the back of the jaws and cleaning of the jaw case (Refer here also when replacing parts.)

The absence of oil on the contact surface between the jaws and the jaw case or the accumulation of cuttings there damages the smoothness of the jaws and prevents normal operations. Clean the contact surface once every 1000 riveting operations as a reference.

- ① Remove the battery pack from the main body.
- ② Loosen and remove the frame head nut by spanner (41mm across flats), and remove the frame head.
- ③ Using a spanner (17mm across flats), remove the jaw case head, and take out the parts inside.

[Refer to "Parts Table" No.1~12]

- ④ Clean the removed parts.
Assemble the parts inside the frame head in the reverse order of disassembly.



Note	<ul style="list-style-type: none"> • Apply LOBSTER lubricant oil JO 50 (separately sold, containing molybdenum disulfide) to the back of the jaws and inside the jaw case. • The jaws, jaw pusher, jaw pusher spring, O-ring, jaw case and the like are consumable items. Replace them on a regular basis. 	
------	--	--

2. Battery pack

The battery pack has a limited service-life. If the number of riveting operations performed by a properly charged battery pack becomes extremely small, the battery pack has come to the end of its service-life. Replace it with a new one.

※LOBTEX is not liable for any accidents and failures whatsoever occurring as a result of the use of unauthorized battery packs or modified battery packs (including cases in which batteries in a battery pack have been replaced).

3. Inspection of the charger

After disconnecting the power plug from the outlet, check to see if the power cable is damaged, if dust is accumulated on the terminals, and so on.

4. Wipe the main body, battery pack, and charger with a soft cloth.

Do not use volatile substances such as thinner and benzene to wipe the main body, battery pack, and charger.

◆ Recycling

The lithium ion battery is a recyclable. To recycle precious materials and to protect the environment, you are kindly requested to bring battery packs that are no longer usable to your dealer. (To prevent short-circuiting of a battery pack, be sure to affix insulating tape or equivalent to the terminals.)



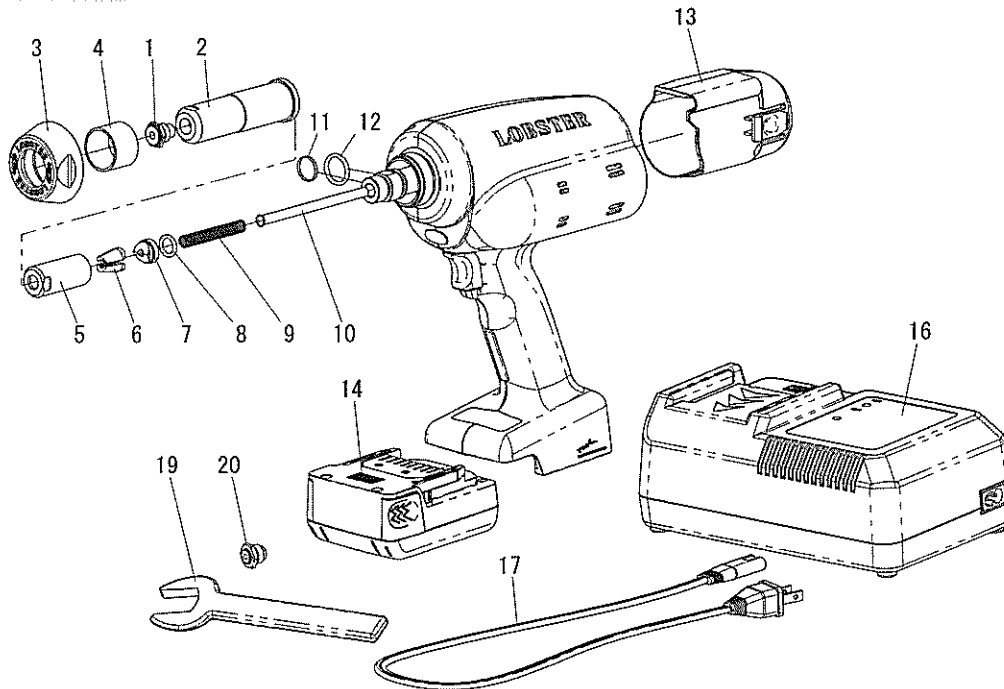
Only for EU countries, do not dispose of electric tools together with household waste material ! In observance of European Directive 2002/96/EC on waste electrical and electronic equipment and its implementation in accordance with national law, electric tools that have reached the end of their life must be collected separately and returned to an environmentally compatible recycling facility.

6. Storage

After using the cordless riveter, store it in a dry place inaccessible to children. If you do not plan to use the cordless riveter for a long time, remove the battery pack from the main body.

When the battery pack is not used for a long time (six months or more), store it in the place 35°C or lower.

7. Parts Table



No.	Parts Table	CODE	No.	Parts Table	CODE
1	Nosepiece "H" 6.4 (1/4)	10226	10	Guide pipe "H"	63913
2	Frame head "H"	63916	11	O-ring P10	10274
3	Frame head Nut "H"	63917	12	O-ring P16	28634
4	Frame head Damper	62835	13	Mandrel Collector "H"	63922
5	Jaw case head	40456	14	Battery pack BPL1415	---
6	Jaws (pair)	10493	16	Battery charger BC0075G	---
7	Jaws pusher	40457	17	AC power cord	---
8	O-ring P10A	10337	19	Spanner 21	63923
9	Jaw pusher spring	43812	20	Nosepiece "H" 4.8 (3/16)	10216

8. Ordering Parts

Indicate the tool model, part name, code No., and quantity as shown below when ordering. The spare parts could be ordered from us (LOBTEX) via distributor.

Model	Part Name	Code No.	Qty.
R1B2	Jaws (pair)	10493	1
R1B2	Jaw pusher	40457	1

※ When parts are modified for improvement, the older parts are kept in stock for a period of five years.

9. Troubleshooting

If a problem occurs, check the followings. If the problem persists after checking the items in the below table, contact your LOBSTER dealer or direct to us.

In making any enquiries about this product or requests for repair work, first check the troubleshooting items below and then make a note of the usage conditions and the trouble symptoms in as much detail as possible. If you can provide this kind of information, it will contribute to reducing the amount of time required for delivery or repairs to be completed.

Trouble	Cause	Countermeasure
The rivet does not go in, or the cut shaft does not come out after riveting.	Wrong type of nosepiece.	Replace with the nosepiece which matches the rivet size.
	Nosepiece is loose.	Use a spanner or similar to tighten securely.
	Improperly assembled jaw case.	Check the assembly procedure of parts inside the jaw case.
	Contact surface between jaws and jaw case head is not smooth. (friction)	Clean the jaws and the inside of the jaw case, and apply LOBSTER brand lubricant oil to the back of jaws.
The number of trigger switch operations increases before riveting is complete.	The rivet length is not suitable for the workpiece thickness.	Use a proper rivet that fits the workpiece thickness.
	Improperly assembled jaw case.	Check the assembly procedure of parts inside the jaw case.
	The jaws are worn.	Replace the jaws with new ones.
Riveting work does not be finished and motor pulsate in short interval.	The required stroke for the rivet is equal to the tool stroke.	Release the trigger and pull again after fixing rivet.
The motor does not start.	The battery pack is not recharged.	Recharge the battery pack.
	Dust has stuck to the contact between the battery pack and the main body.	Remove dust.
	Activation of the battery pack protection circuit due to overloading.	Eliminate the cause of the overload, and recharge the battery pack.
	Activation of the main body protection circuit due to overloading.	Contact your LOBSTER dealer.
The battery pack runs out very early even it has been properly charged.	End of the battery pack service-life.	Purchase a new battery pack.
When a fully charged battery pack is put for recharging a second time, the charge indicator lamp lights up.	Because it takes time to detect the fully charged state.	The recharge finish indication will appear soon.
The charge indicator lamp does not light up when the battery pack is inserted.	The power cable is not connected.	Insert the power cable into the outlet.
	Dust has stuck to the contact between the charger and the battery pack.	Remove dust.
Charging the battery pack completely takes a long time.	Because the battery pack is hot. (Orange lamp flashing, while charging on standby)	Start recharging after the battery pack has cooled down.
	Because the battery pack is cool.	Leave the battery pack in a place where the temperature is above 10°C for one hour, and then recharge the battery pack.

10. EC Declaration of Conformity

We hereby declare that the following this product conforms with the essential health and safety requirements of EC Directives.

Machinery Directive: 2006/42/EC

EN ISO 12100:2010, EN60745-1:2009, EN60745-2-16:2010, others

EMC Directive: 2004/108/EC

EMI : EN61000-6-4:2007+A1:2011

EMS : EN61000-6-2:2005