



Milling Chucks

Shrink Fit Holders

SK Collet Chucks



Current Promotion

Scan
these
QR Codes



Featured Video

SK Collet Chuck Features

LEAN, TOUGH AND EFFICIENT

- Lean:** narrow body design accesses tight spots
- Versatile:** applicable for all milling, drilling, reaming and rigid tapping applications
- Flexible:** covers sizes from .027" to 1"
- Accurate:** two times more accurate than ER Collet Chucks, within 10 times better repeatability
- Extremely Precise:** 0.00012" or less concentricity guarantee with on-size collets all the time
- 8° versus 16° collet taper:** twice more gripping power than ER Collet Chucks
- Extremely Successful:** over 1 million SK Collet Chucks and 15 million SK collets sold worldwide



SK Collet Range



SK6

(0.7-6.0mm)
(0.027-0.236")



SK10

(1.75-10.0mm)
(0.069-0.393")



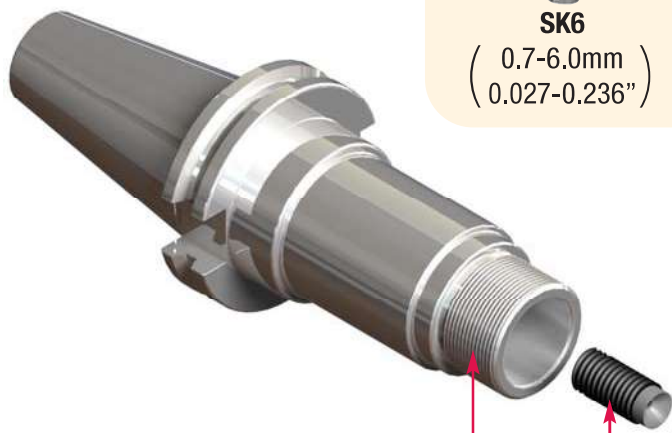
SK16

(2.75-16.0mm)
(0.108-0.629")



SK25

(16.0-25.4mm)
(0.629-1.000")

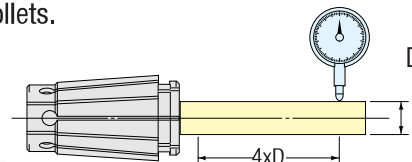


Grinding of threads allows accurate and strong collet compression and prevents collet rocking.

Fine adjustment back up screw (see detailed next page) and chamfered plastic tip creates additional seal for 1000PSI coolant through applications.

Accuracy and Flexibility

Due to Nikken's special heat treatment, grinding and custom slotting process, they are the only collet chuck manufacturer in the world that guarantees a 3 micron runout tolerance for their "on size" fractional and metric size precision collets.



- Collet edge is flush with front surface of nut maximizing gripping rigidity
- Extreme hard and smooth surface of the TiN Bearing allows for more thrust load on the collet while preventing additional runout associated with collet twisting
- Threads are protected to prevent chip packing or stringy birds nests below the collet chuck nut

SK Collet Chuck Features

Increased Gripping Power

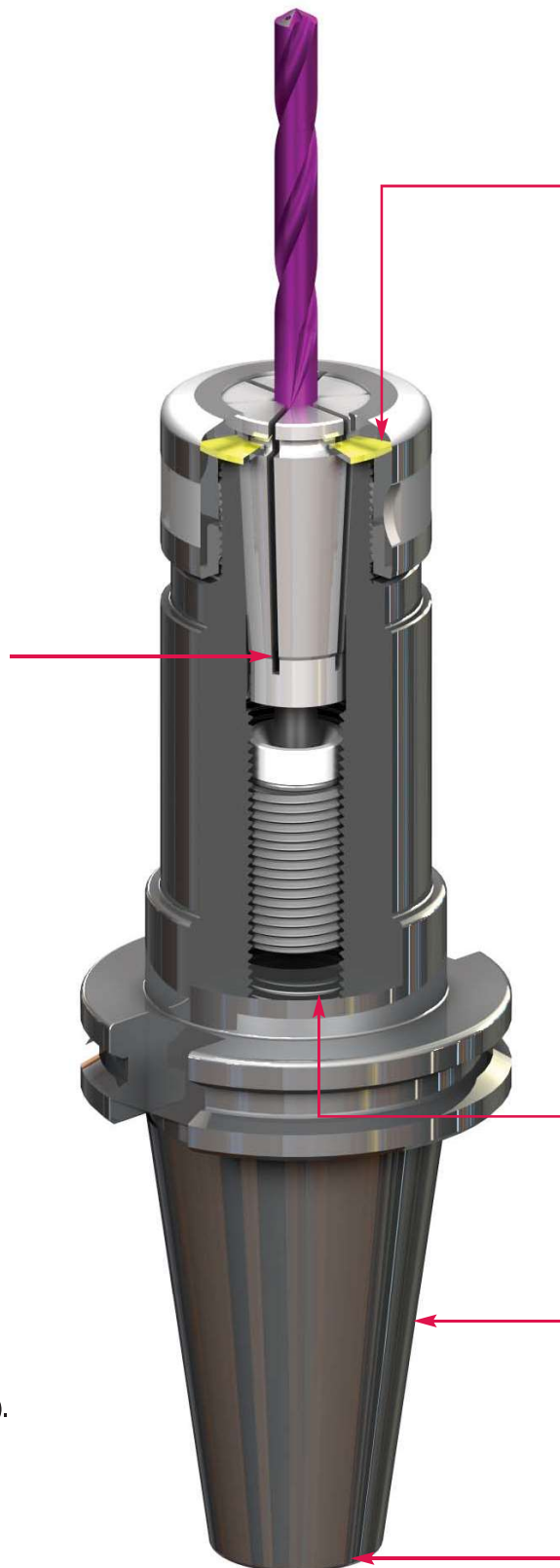
The smaller the taper angle is, the better concentricity is obtained.

Our steep 8° collet seats deeper in the body of the holder, providing twice more clamping force and twice more precision than traditional 16° ER collets.



GH Handle

Easy, safe and reliable handling with GH wrench (see page 193).



Titanium Nitrided Bearing Nut (HV2,200)

(US Patent 6923451)

- More efficient than conventional ball bearing built-in nut!
- Good sliding effect due to surface hardness of HV2,200
- No damage, no friction
- No corrosion occurs internally
- Less micro vibration with collet flange contact
- Increase cutting performance and tool life durability
- More cutting rigidity

High pressure 1200 PSI fine thread coolant back up screw

AT3 or better taper - .0028 degree tolerance variation (80 millionths to 126 millionths taper size tolerance)

Ground surface for accurate perpendicular contact between pull stud and taper

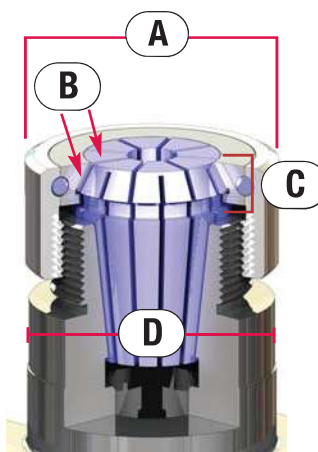
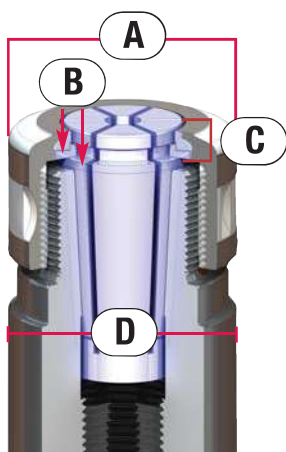
SK Collet

SK Collets can be used for all applications, from milling to reaming. Standard collets can be used in coolant thru applications (with coolant back-up screws).

SK Collet VS ER Collet

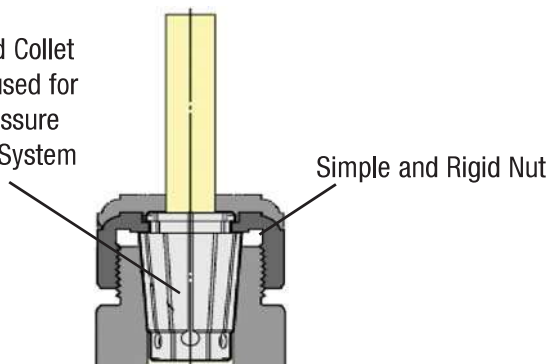
- A. Slim design allows for clearance
- B. Force is perpendicular to centerline of toolholder for strong grip
- C. Deep position creates greater accuracy
- D. Rigid body is flush with nut to maintain rigidity throughout

- A. Wide collets= wide nut design
- B. Force is angular to centerline of toolholder
- C. Shallow position creates collet rocking
- D. Body diameter is smaller than nut compromising rigidity



Lyndex-Nikken Slim Chuck -Flat shoulder pushing

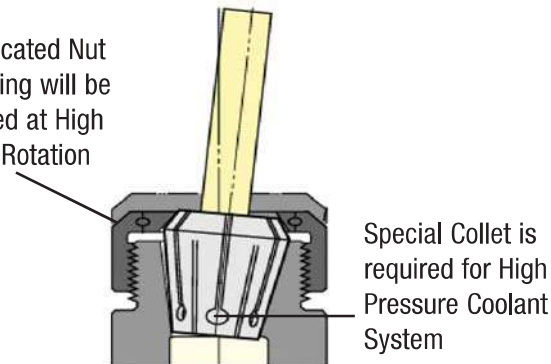
Standard Collet can be used for High Pressure Coolant System



- High Accuracy Due to Flat Shoulder Pushing
- High Gripping Torque of 8° taper

Others -Taper shoulder pushing

Complicated Nut Balancing will be changed at High Speed Rotation

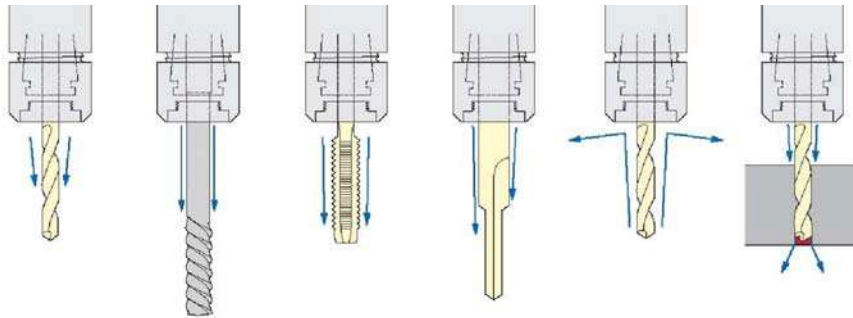


- Unstable Run-out Due to Taper Part Pushing
- Poor Gripping Torque of 12°, 16° taper

Superior SK Coolant System

Our Slim Chuck features a unique High-Pressure Coolant Collet System which allows for higher accuracy and gripping torque.

SK Coolant thru options:



Slotted Disc:

When the Coolant Nut is paired with the Slotted Disc, coolant is directed to the cutting edge of the cutting tool, making this combination **ideal for non-coolant-thru tools**. The jet coolant pressure creates a tornado effect, ensuring **efficient swarf dispersal**.

Back-up Screw for SK Collet Chuck

SKG12



- Solid steel black oxide coated back up screws
- Accessible and adjustable from both ends

SKG-12L



- Excellent for high feed drilling
- Allows cutter repeatability within .0002"

SKG16-12HGA



- Ultra High Pressure back up screw capable up to 1200 psi
- Solid steel black oxide coated back up screws with plastic caps
- 80% thread engagement on fine thread to prevent coolant leakage
- External O ring provides additional seals to prevent coolant build up within the toolholder

SKG-18H



- Plastic cap is chamfered to accommodate for different sizes
- Excellent for high pressure coolant or oil drilling applications
- Allows cutter repeatability within .0002"



Applications for SK J Type Nut:

- Tap or specially designed cutting tool
- Burnishing drill for formed hole
- Oil hole drill for through hole drilling
- Cutting tool with coolant grooves
- Mechanical seal prevents dust and swarf entering inside the collet slots

Coolant-Thru Disc:

When the Coolant Nut is paired with the Coolant-Thru Disc, **a perfect seal** is formed around the cutting tool shank, making this combination **ideal for coolant-thru tools**.

