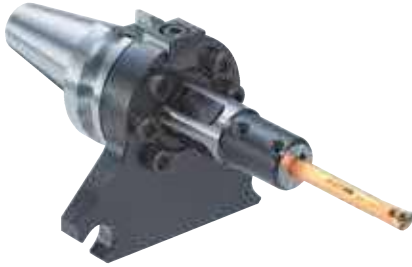
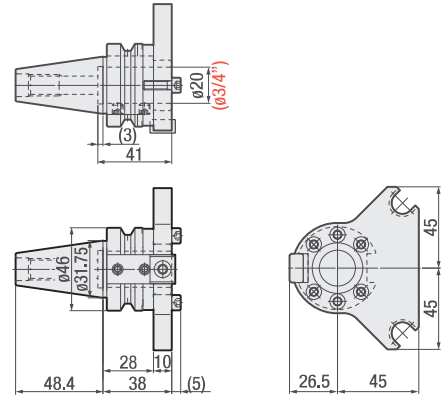
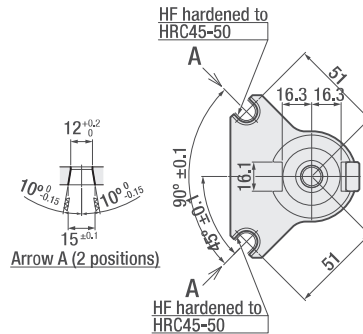


BT30-BHC20-38
BT30-BHC3/4-38



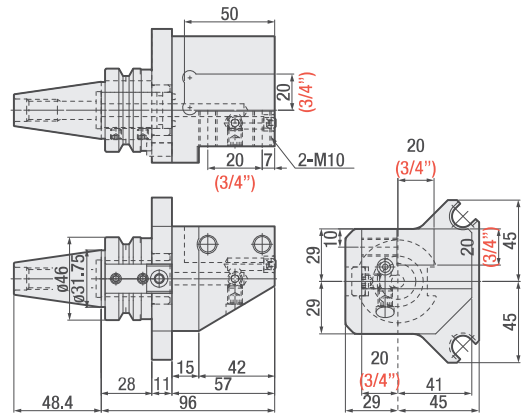
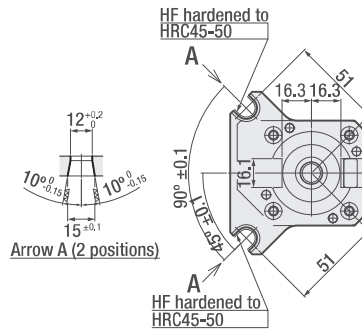
ROUND BYTE HOLDER



BT30-BHS20-96
BT30-BHS3/4-96



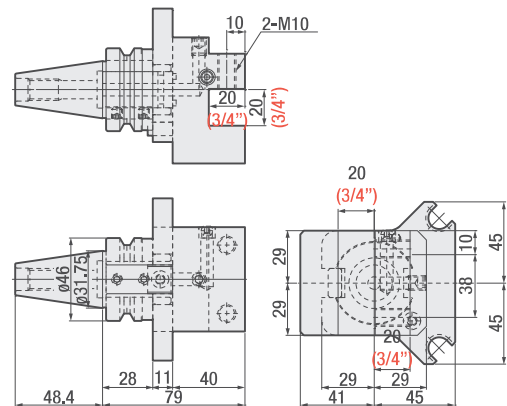
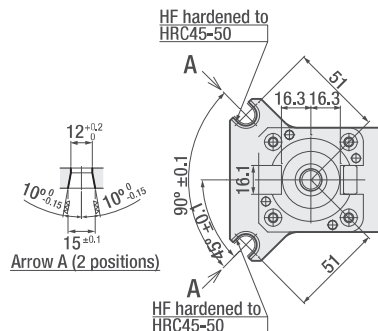
SQUARE BYTE HOLDER



BT30-BHSH20-79
BT30-BHSH3/4-79



SQUARE BYTE HOLDER



For more Catalogs, including Nikken Rotary Tables for Brother CNC Tapping Centers, visit our catalog download page at: www.lyndexnikken.com/Online-Catalogs