

# BIG KAISER



**UNILOCK MODULAR WORKHOLDING SYSTEM**  
UNIFLEX SYSTEM 50 — 2018

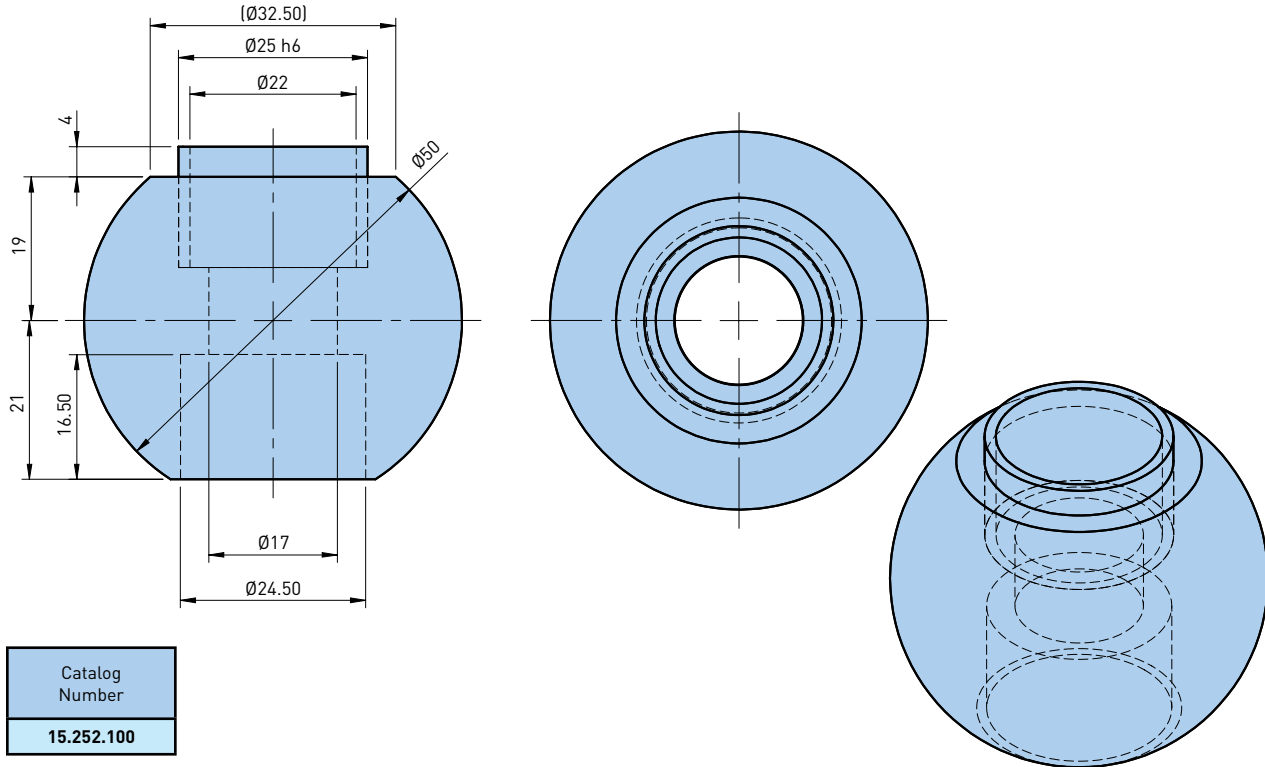
## UNIFLEX SYSTEM 50

The UNIFLEX system has been expanded to include a Ø50mm ball and clamping bases. The UNIFLEX SYSTEM 50 ball comes in two types: a location type with a Ø25mm removable locating collar and a grip type which has serrations only. The ball is made from hardened steel like that used in industrial bearings. The base comes in two heights 110mm or 59mm to the center of the ball. The 110mm base also has the added benefit of being able to be clamped on top of a SYSTEM 40 knob allowing it to be used with the standard UNILOCK system chuck. Both bases can be easily toe clamped down to standard t-slots or grid plates via their flanges. The bases are designed to support 10 tons each and when clamped at 14 ft-lbs apply 4500 lbs of clamping force.

- Grip type should not be used on finished surfaces

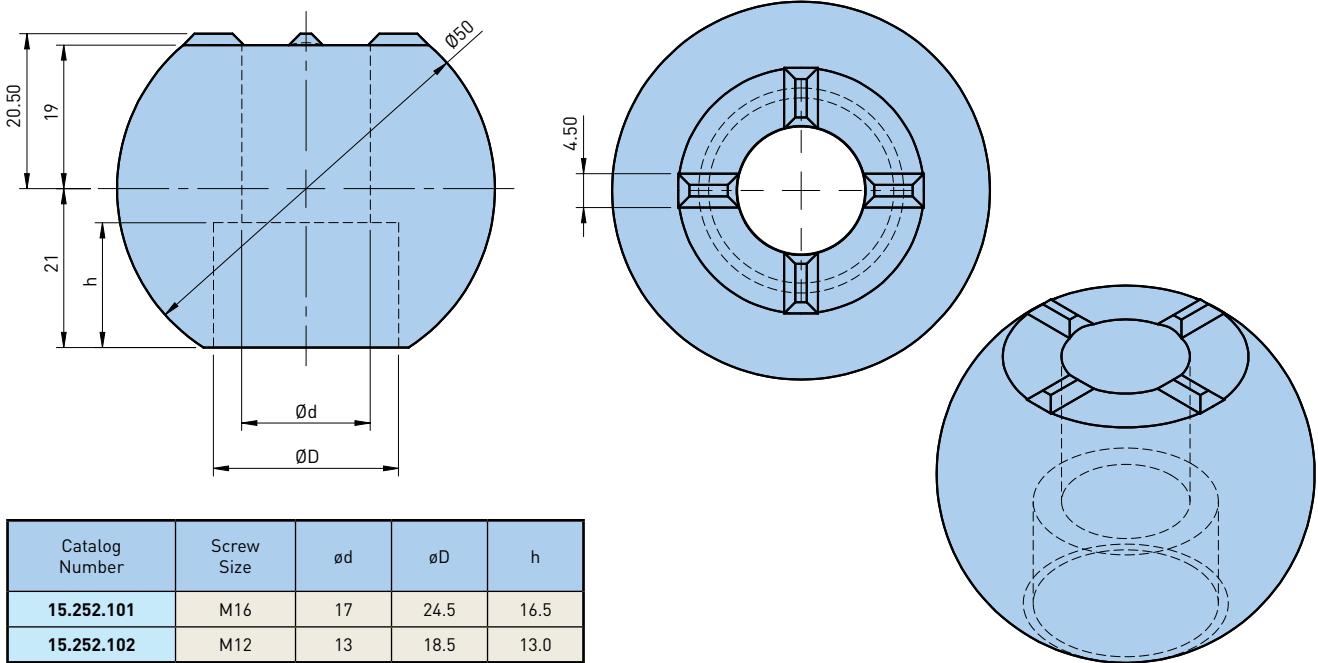


STABILIZER BALL LOCATION TYPE



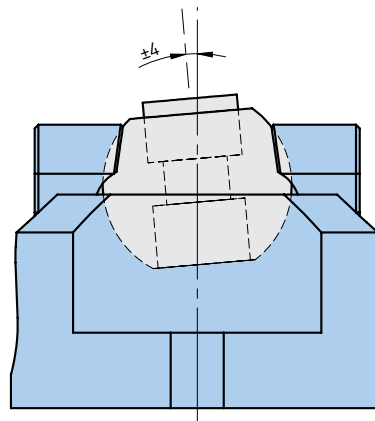
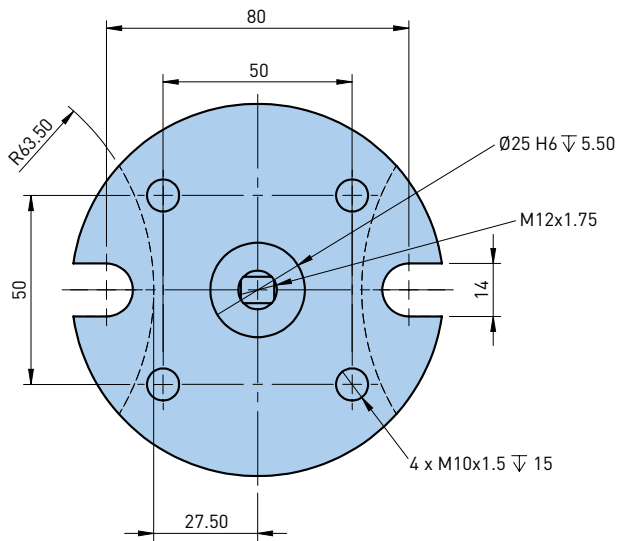
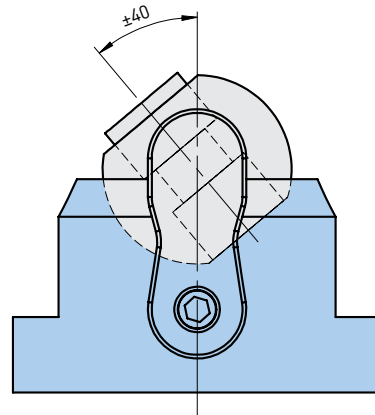
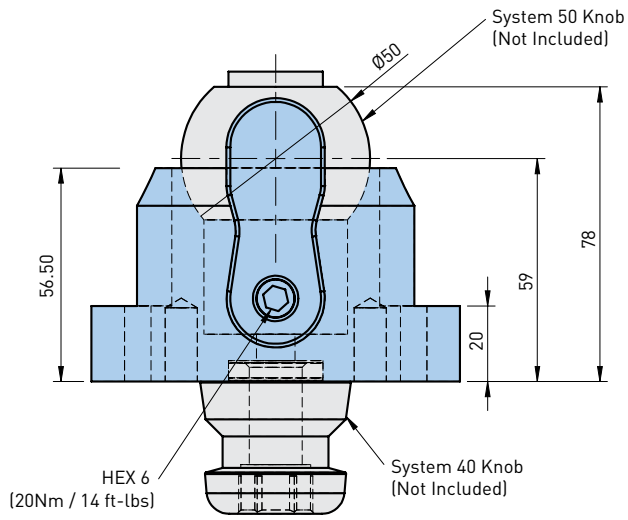
• M16 x L50 SHCS not included

STABILIZER BALL GRIP TYPE



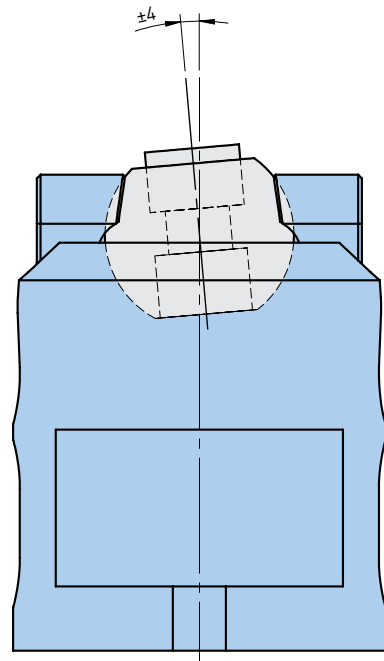
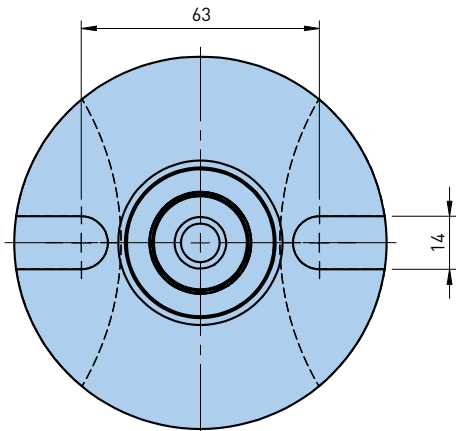
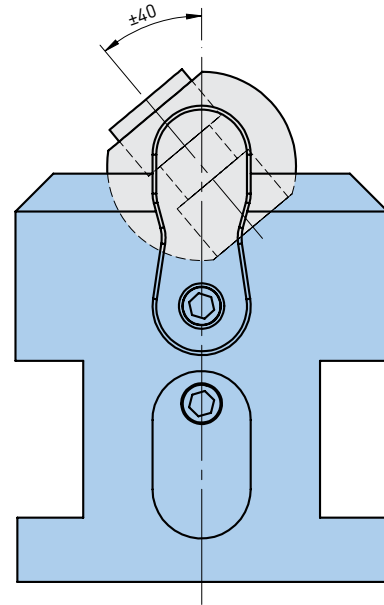
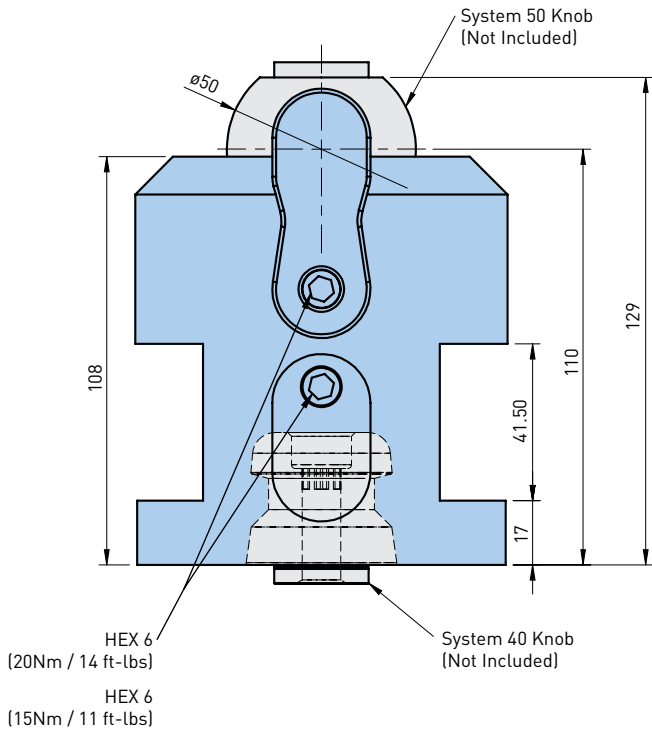
• Mounting screw not included

UNIFLEX 50 BASE



Catalog Number
<b>15.252.200</b>

UNIFLEX 50 BASE



Catalog Number
15.252.210

**BIG KAISER Precision Tooling Inc.**

A Member of the BIG DAISHOWA Group

2600 Huntington Blvd | Hoffman Estates, IL 60192 | P: (224) 770-2999 | F: (224) 770-2997 | [bigkaiser@us.bigkaiser.com](mailto:bigkaiser@us.bigkaiser.com) | [www.bigkaiser.com](http://www.bigkaiser.com)

02/2018 © Copyright 2018 BIG KAISER